

TOWARDS

BETTER LIFE

TOWARDS

SUZHOU TOWARDS ELEVATOR CO.,LTD

Add: West Nanhuan Road,Port Development Part,Taicang,Jiangsu,China

Tel: +86 512 8166 2155

Email: info@towardselevator.com

Http: www.towardselevator.com

*PANORAMIC ELEVATOR
HOSPITAL ELEVATOR
FREIGHT&CAR ELEVATOR*

TOWARDS





TOWARDS

When you first heard about "TOWARDS", it might be only one word. However it will become a new attitude to life from now on. Basing on Italian technology , international advanced management , manufacturing and service platform , TOWARDS set up a full chain , from product R&D , manufacture , sales , installation , maintenance and modernization for elevator & escalator .

"Towards Elevator, Towards Better Life" is our mission . This will be realized not only by the workers who are manufacturing the elevators or engineers who are designing it, but also the passengers who are taking a ride of it.

Technology-oriented objectives is what we are insisting on our elevators and escalators. Safety, protection, comfort are what we are considering. Parts testing before usgae is what we are doing.

Towards Elevator is becoming one of the leading elevator & escalator suppliers all around the world. Welcome to join us!

Towards Elevator, Towards Better Life

WHY CHOOSE US

10Y



Focusing on elevator market for years

Abundant interior cabin designs

Full experience in customized elevator design and manufacture

Professional sales team

Focusing on elevator market for years

Abundant interior cabin designs to reach your unique demands

Full experience in customized elevator design and manufacture to provide you feasible solutions

Professional sales team can give you 24 hours time to time reply, from the fist inquiry till the last maintenance.

PANORAMIC ELEVATOR

Starting from design, succeeding in science and technology, TOWARDS Observation elevator integrates security, intelligence, efficiency and energy-saving. The design of transparent car implements the stunning view of tourism. All for unconstraint sightseeing.



TO-001

Upper and lower guard : Baked enamel plate , up/down acrylic sill
 Observation wall : Detached transparent laminated glass , no decorative vertical column
 Decoration roof : Front glass , rear mirror stainless steel frame , strip acrylic lighting decoration
 Car wall : Hairline stainless steel and laminated safety glass combinations
 Handrail : Mirror stainless steel round tube
 Floor : PVC

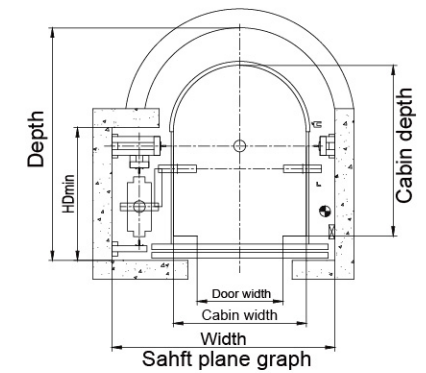
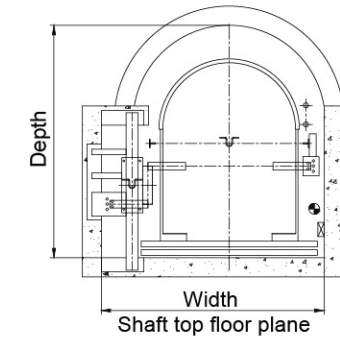
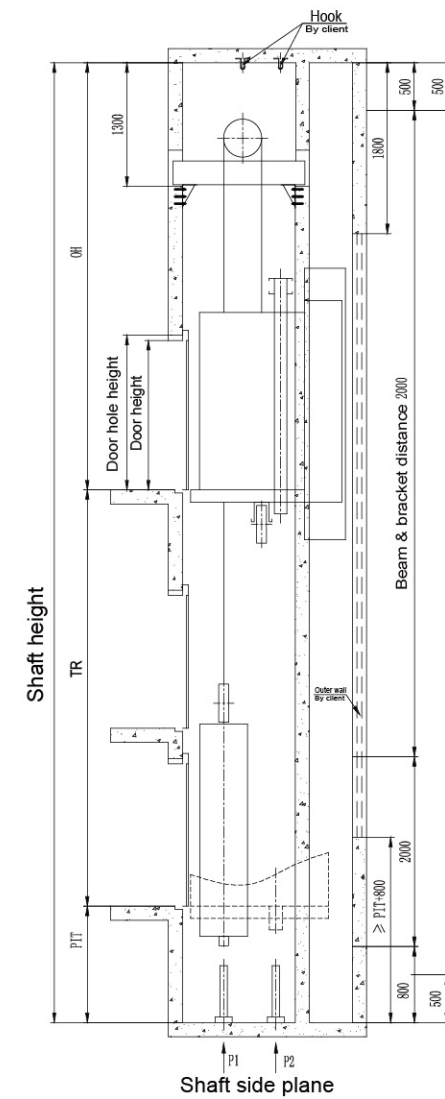
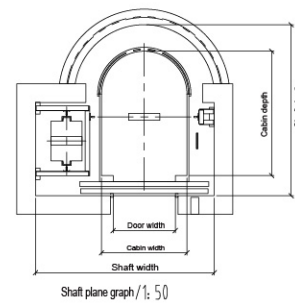
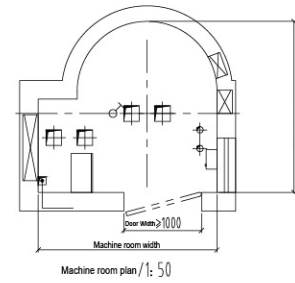
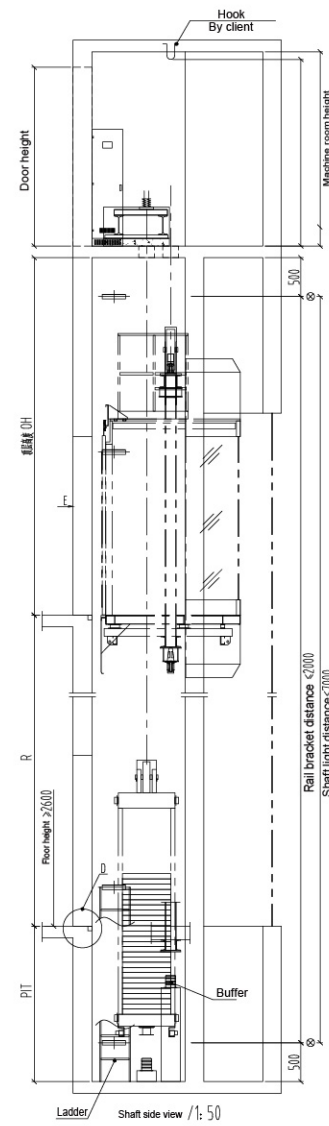
TO-002

Upper and lower guard : Yellow titanium gold mirror stainless steel
 Observation wall : Detached transparent laminated safety glass
 Decoration roof : Mirror stainless steel , acrylic lighting decoration
 Car wall : Laminated safety glass
 Handrail : Stainless steel round tube
 Floor : PVC



TO-003

Up and lower guard : Steel painted stainless steel coaming , decorative light
 Observation wall : Circular laminated safety glass(3 pieces)
 Decoration roof : Steel paint , acrylic lighting,down light
 Car wall : Hairline stainless steel
 Handrail : Stainless steel
 Floor : PVC



Panoramic elevator with machine room (rhombus&circular)

Capacity	Speed	Cabin size		Door size		Shaft size				Machine room size		
		CW	CD	OP	OPH	HW	HD	PIT	OH	MRW	MRD	MRH
630	1	1100	1600	800	2100	2300	2200	1800	4500	2300	2200	2500
	1.5							1900	4600			
	1.75							1900	4600			
800	1	1200	1700	800	2100	2400	2300	1800	4500	2400	2300	2500
	1.5							1900	4600			
	1.75							1900	4600			
1000	1	1400	1800	900	2100	2600	2400	1800	4500	2600	2400	2500
	1.5							1900	4600			
	1.75							1900	4600			
1600	1	1700	2200	1100	2100	2900	2800	1800	4500	2900	2800	2500
	1.5							1900	4600			
	1.75							1900	4700			

Panoramic elevator without machine room (rhombus&circular)

Model	LOAD	Passenger	Speed	Cabin size (mm)	Door size (mm)	Shaft size (mm)	底坑深度 (mm)	顶层高度 (mm)
630/1.0	630	8	1	1100x1600	800x2100	2500x2200	1800	4500
630/1.5			1.5				1900	4600
630/1.75			1.75				1900	4600
800/1.0	800	10	1	1200x1700	800x2100	2600x2300	1800	4500
800/1.5			1.5				1900	4600
800/1.75			1.75				1900	4600
1000/1.0	1000	13	1	1400x1800	900x2100	2800x2400	1800	4500
1000/1.5			1.5				1900	4600
1000/1.75			1.75				1900	4600
1600/1.0	1600	21	1	1700x2200	1100x2100	3100x2800	1800	4500
1600/1.5			1.5				1900	4600
1600/1.75			1.75				1900	4700

HOSPITAL ELEVATOR



Creative、Shortcut、Advanced

TOWARDS Hospital Elevator helps to solve the problem of passenger flow in hospital.

We can totally understand the challenge you are facing a cutting-edge hospital .
Towards will provide a omnibearing service and help to keep passenger flow transport safe , reliable , stable and convenient .

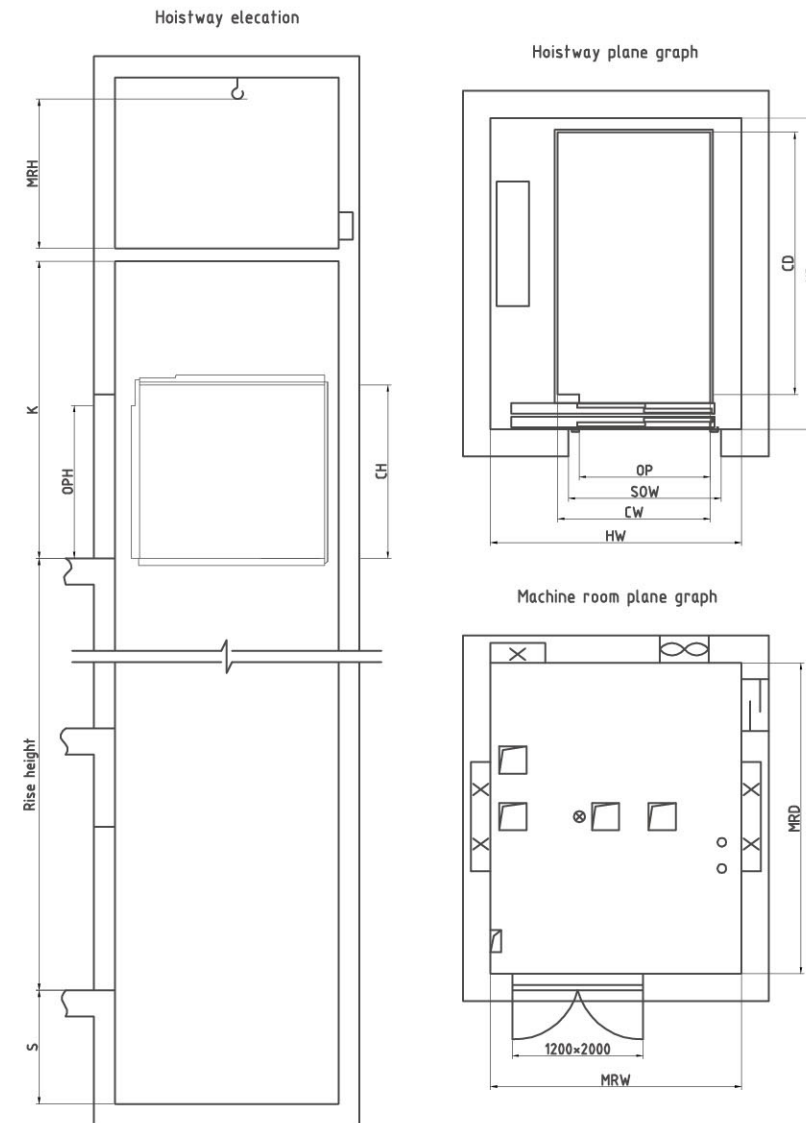
The intellectual control system has an automatic check regularly to prevent stoppage of the elevator .
That will wholly ensure the safety of the passengers .

Users interface provides buttons with Braille . The voice presentation shows that Towards takes care of every details to make the passengers more comfortable . Specially designed car structure are made of good stainless steel to ensure passengers and medical devices go in and out freely .

The elevator applies advanced VVVF closed loop operation , which can monitor the speed and the position of the elevator . The sensitive curtain door system can keep safe with safety edge for door . Based on 3G signal , the control by the long-distance monitor carries out a real-time monitor to the lift travel condition and will send the video to the control site .According to the Cloud Corner , debugging time can be shortened again to make proprietors convenient .



TOWARDS hospital elevator series, made of high-strength materials and equipped with a complete set of cutting-edge equipment, runs smoothly and comfortably to meet the needs of urgent transportation of patients. Adhering to the consistent humanized design, group control technology is applied to realize the intelligent operation of the elevator and shorten the waiting time of patients to the minimum.



Hospital Elevator Specifications

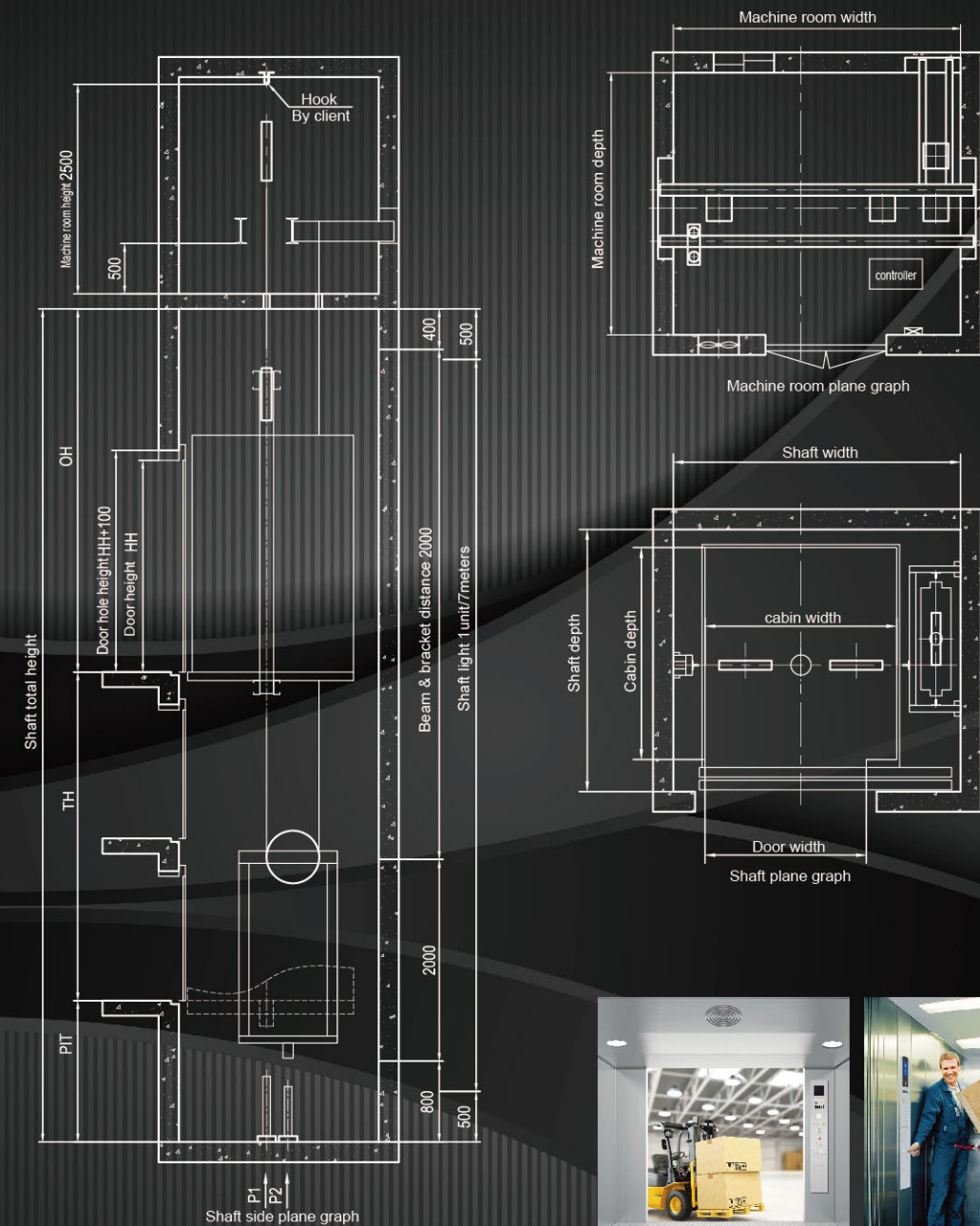
Note: Floor height , 1st floors 4m , other floors 3m for standard

Load KG	Speed	Car Size			Open Size		Shaft Size			
		CW	CD	CH	OP	OPH	HW	HD	K	S
1600	1	1400	2400	2500	1200	2100	2300	2850	4400	1550
	1.5								4500	1600
	1.75								4600	1650
Load KG	Speed	Floors	Travel Height	MRW mm		MRD mm		MRH		
1600	1	15	50	2300		2850		2500		
	1.5	24	80							
	1.75	32	95							

NOTE: Only for reference , final manufacturer please follow contract

FREIGHT ELEVATOR

Safety first, effective carrying capacity with reliable and long lifetime. High strength sheet bending technology ensures symphonic strength while reducing the weight of the car. TOWARDS cargo elevator series has undergone multiple destructive and reliability tests and is driven by integrated control, suitable for a variety of load conditions.

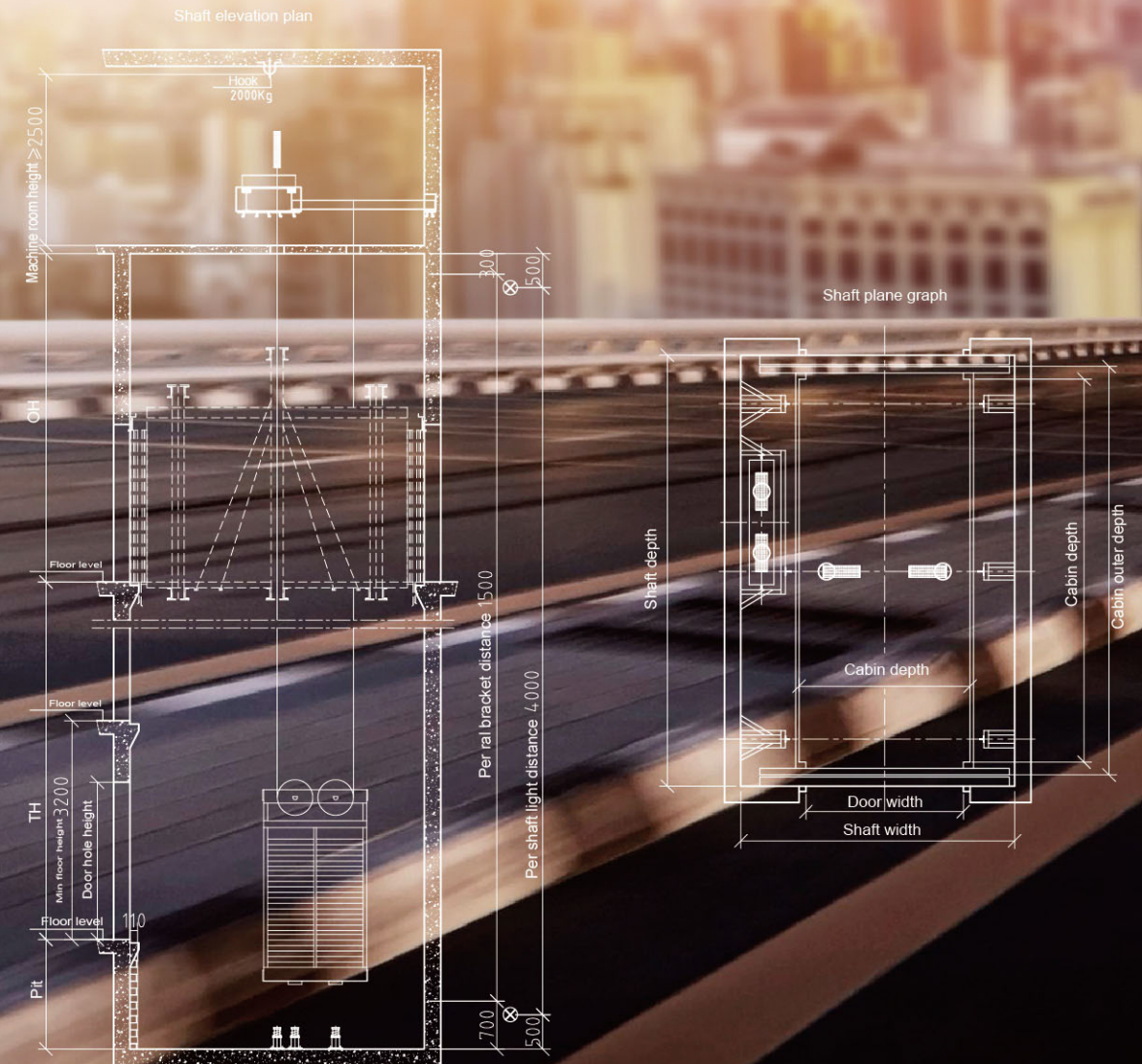


Freight elevator with machine room

Capacity	Speed	Cabin size		Door size		Shaft size				Machine room size		
		CW	CD	OP	OPH	HW	HD	PIT	OH	MRW	MRD	MRH
2000	0.5	1700	2400	1500	2100	2800	2900	1500	4400	2800	2900	2500
3000	0.5	2000	2800	1700	2100	3300	3300	1500	4500	3300	3300	2500
5000	0.5	2600	3400	2200	2100	4000	3900	1600	4600	4000	3900	2500



CAR ELEVATOR



TOWARDS car elevator , smooth and comfortable, widely used. Adopting advanced vector control technology, modularized computer control and mature and reliable frequency conversion speed control technology. high operating efficiency, stable start. low energy consumption.

Capacity	Speed	Cabin size		Door size		Shaft size				Machine room size		
		CW	CD	OP	OPH	HW	HD	PIT	OH	MRW	MRD	MRH
3000	0.5	2500	5700	2300	2200	4000	6300	1600	4800	4000	6300	2500